

# *Dream Mixer* *Active Edition*

## **Quick Start Guide**

Version 1.0  
Copyright ©2012 PRICOM Design

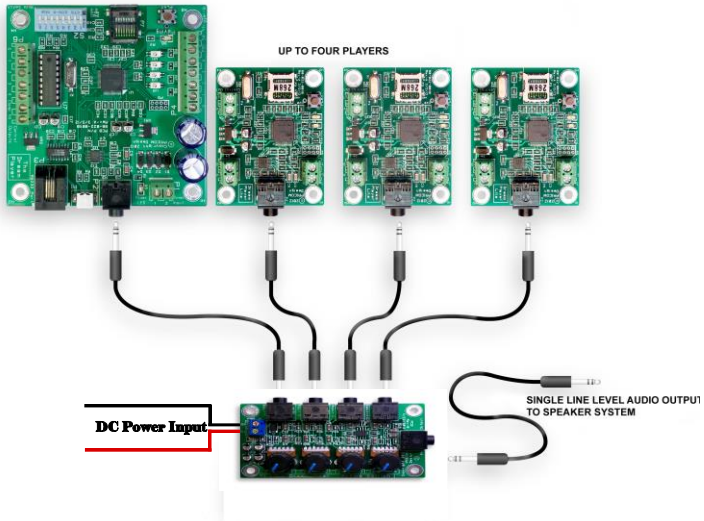
# 1 Operation

---

Thank you for your purchase of a Dream Mixer-Active Edition. This is a remarkably simple device and therefore does not require much reading material or supporting documents to learn how to operate it. Below is a simple diagram explaining how and where to connect your audio cables.

The illustration displays these connections using three Dream Player LITE's, and a Dream Player MK2.

**Figure 1 - Connection Diagram**



## 2 Connections

---

To fully utilize your new Dream Mixer-Active Edition, connect your Dream Player and speaker systems as demonstrated in the illustration.

Start by connecting an audio patch cable between the output of your audio playback device (i.e. a Dream Player) and the Dream Mixer. This connection is depicted in Figure-1.

The four input audio jacks on the Dream Mixer are labeled “Input One”, “Input Two”, “Input Three”, and “Input Four”. The output connection is identified on the board simply as the “output” jack. The output is designed to feed the signal into a set of powered speakers. You may actively mix the inputs of these devices into one output using the four on-board volume knobs. This way you may adjust one input device to be louder than others, or whatever your situation requires.

If using powered speakers with this set up (like the ones that are used with computers and have built-in amplifiers) simply connect your speakers to the Active Mixer’s output jack as seen in Figure-1. If you would prefer to use non-powered speakers, you can do so by connect your speakers to a PRICOM Dream Amp and then connecting the Dream Amp to your Active Mixer via the output jack as depicted in Figure-1.

## 3 Power

---

The Dream Mixer-Active Edition requires power to be supplied to the unit. The Mixer accepts from 9-24 Volts DC, the higher the voltage the more pristine quality of the mix. The polarity of the wires is important, and successful connection will be indicated by a Green LED on the board. If the power is supplied in the wrong orientation then the LED will not illuminate, and an on-board diode will prevent any damage to the circuit.



## 4 Support

---

Please refer to your Dream Player User Manual for operating and loading the sound files for the Dream Player onto your SD Flash card.

Using the Dream Mixer creatively can result in tremendous savings in not only cost but space as well. By enabling you to use only one set of speakers, you also have the ability to trigger multiple tracks simultaneously from different Dream Players, and have them play to one set of speakers.

If you are considering a more elaborate application or need additional assistance, do not hesitate to contact us at: [support@pricom.com](mailto:support@pricom.com). We will do our best to help you figure out the best way to achieve your goals.

You can also visit our web site [www.PRICOM.com](http://www.PRICOM.com) or [www.BobsBench.com](http://www.BobsBench.com) for many interesting applications.

Thanks again for your purchase, and be sure to let us know if we can be of assistance.

PRICOM Design  
2755 Slocum Rd  
Peyton, CO 80831  
[www.pricom.com](http://www.pricom.com)  
[info@pricom.com](mailto:info@pricom.com)

