

Dream Switcher Power Edition

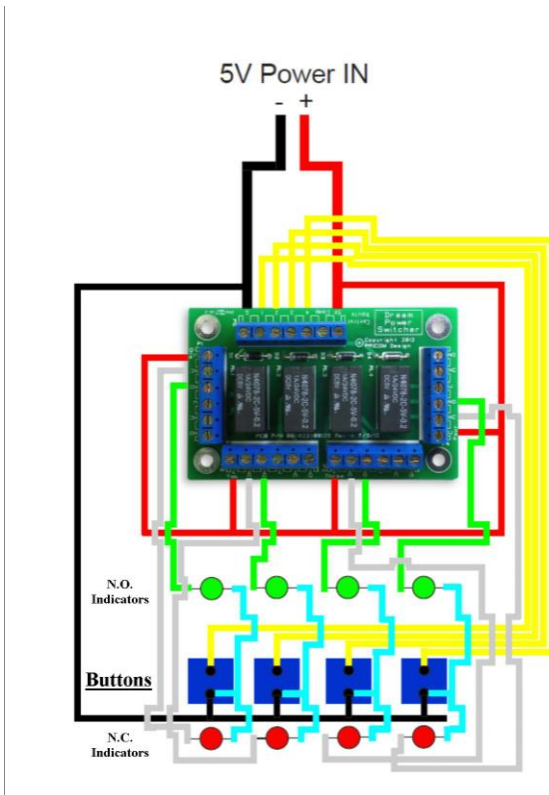
Quick Start Guide

Version 1.0
Copyright ©2012 PRICOM Design

1 Operation

Thank you for your purchase of the Dream Switcher – Power Edition. Using buttons and LED's to illustrate a simple use case, the below illustration gives a brief overview of where certain wires should connect.

Figure 1 - Connection Diagram



2 Power

The Power Switcher relay coils operate using 5 Volts DC input power. The relay contacts are capable of switching loads up to 24 Volts and up to 1 Amp.

3 Connections

There are four, six position terminal strips that expose all contacts of each relay. This gives easy access for two Common, two Normally Open, and two Normally Closed positions per terminal strip. The seven position terminal strip is for the Control Inputs, where you connect the Input Power to control the relays. In the example, we used the input power for the LED's as well. The Triggers may be just about any contact closure, such as buttons, but are especially suited for use with a Dream Player.

Control Outputs

Common (C): Each Control Output terminal strip has two Common positions to provide power to the relay contacts. This can be any source, but we have used the 5V from the input terminal strip in our example.

Normally Closed (NC): When the relay is in its relaxed/inactive state, this position will be connected to the Common position. In the illustration, when the switcher is powered with no other activity all of the N.C. Indicator LED's will be active and illuminated.

Normally Open (NO): Referring to the illustration, when a Button is pressed, the corresponding Relay will be energized. This will cause the N.O. position to be connected with the Common position, illuminating the green indicator.

Control Inputs

5V: The relays work best off of a 5V power supply. In the 5V position, connect the positive (+) side of your power supply. In our example, we also use the 5V for the LED power source.

Clamp: This position should be connected to the Clamp terminal when using a Dream Player.

1-4: These are the Control Inputs connected to each of the relays. Our illustration uses Buttons to providing the control input.

Ground (G): Connect the other wire of your power supply here. The Ground wire for your trigger device(s) may also connect here.



4 Support

If for some reason you have any problems or issues with the Dream Switcher – Power Edition, please contact us and we will do our best to help. Or if you have any questions or need assistance about the general use of the Power Switcher feel free to contact us as well.

PRICOM Design
2755 Slocum Rd
Peyton, CO 80831
www.pricom.com
info@pricom.com

